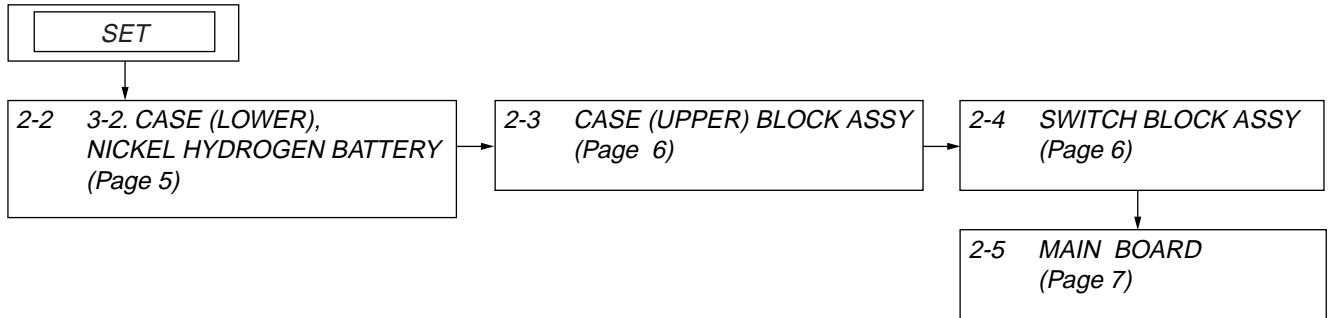


SECTION 2 DISASSEMBLY

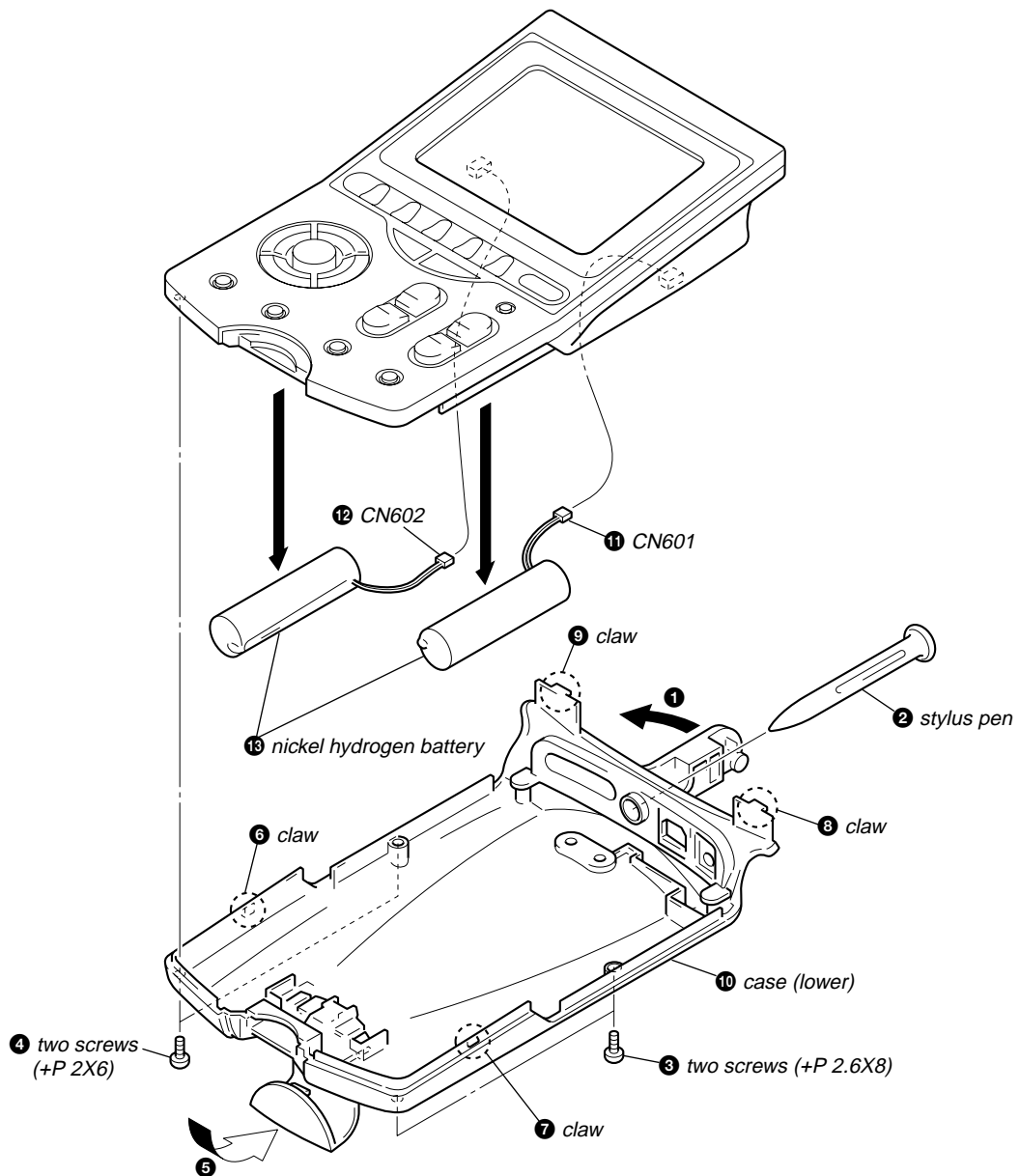
• This set can be disassembled in the order shown below.

2-1. DISASSEMBLY FLOW

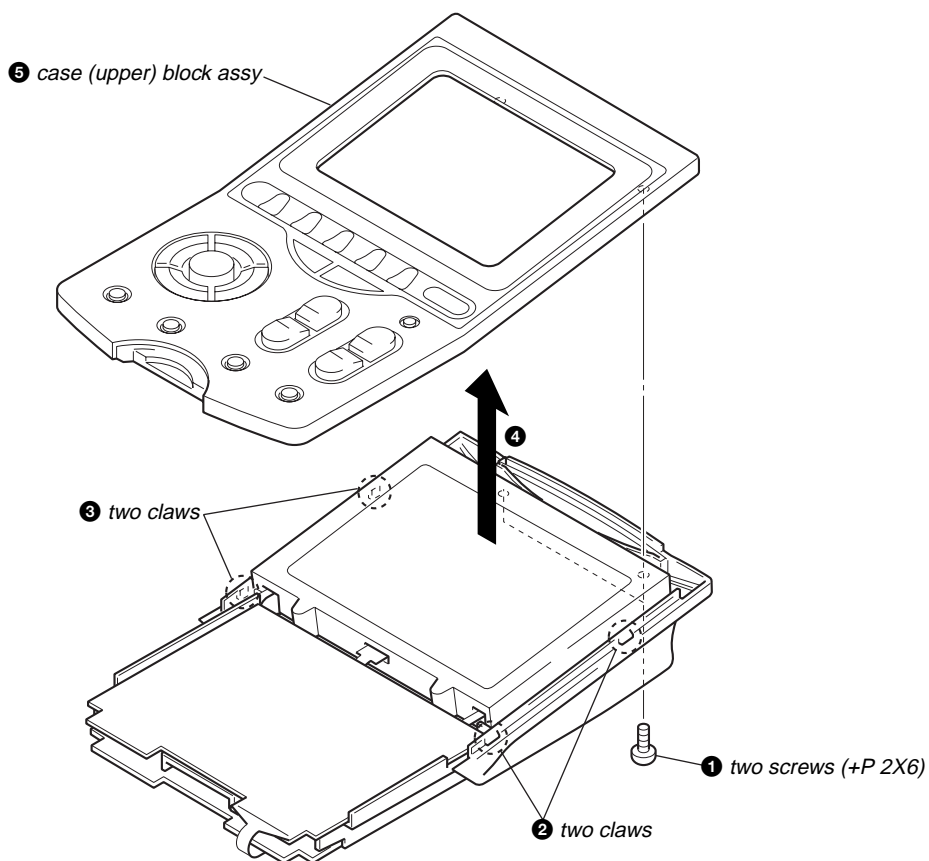


Note: Follow the disassembly procedure in the numerical order given.

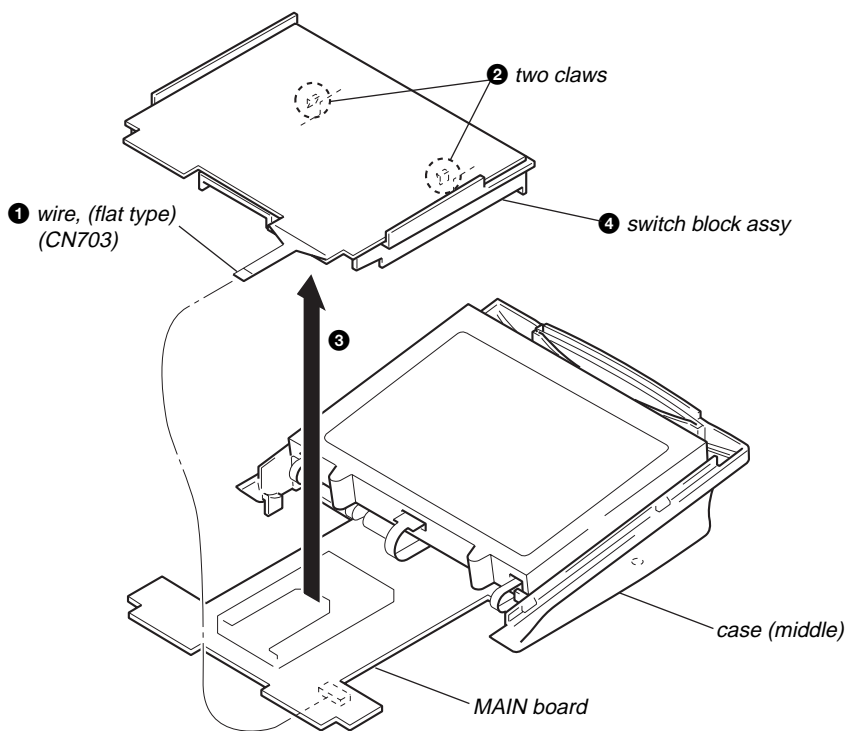
2-2. CASE (LOWER), NICKEL HYDROGEN BATTERY



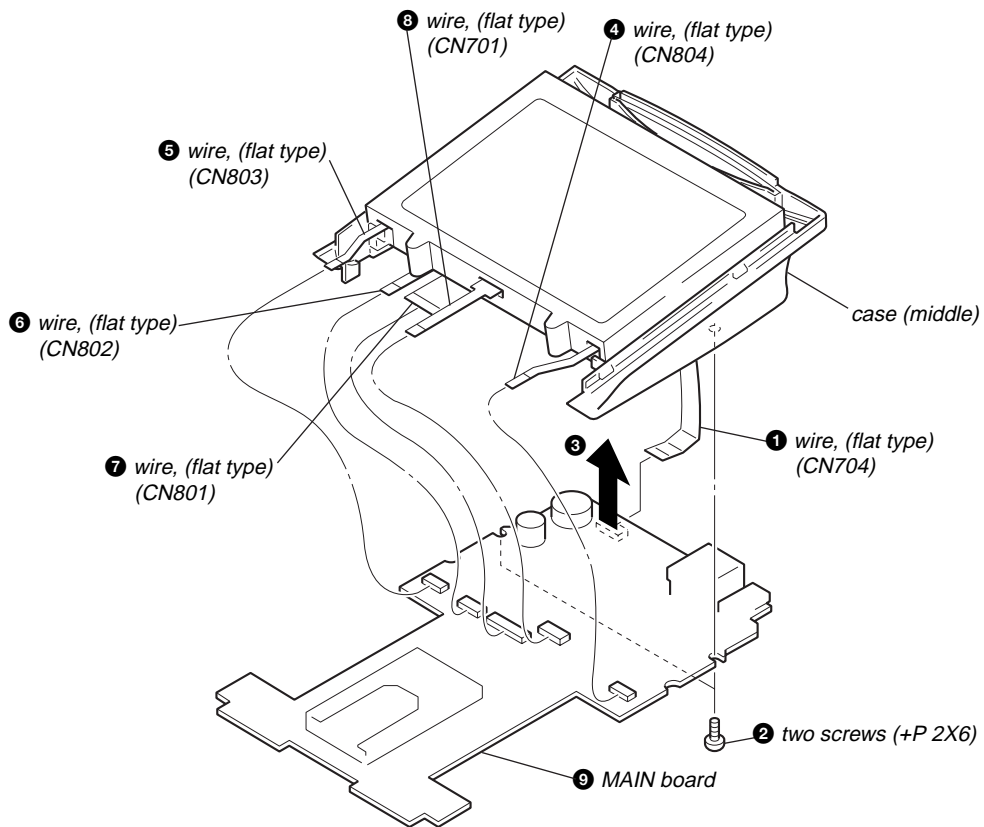
2-3. CASE (UPPER) BLOCK ASSY



2-4. SWITCH BLOCK ASSY



2-5. MAIN BOARD



SECTION 3
TEST MODE

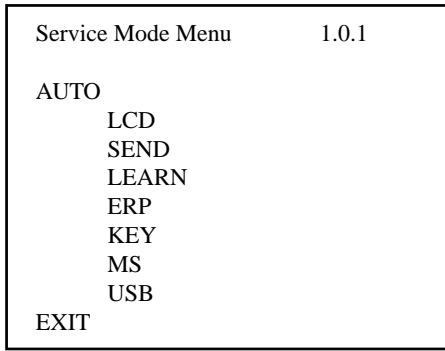
• How to enter the service mode

(The internal rechargeable battery must be fully charged.)

1. Turn the DC4.5V power ON for the main unit.
2. Press the main PC board S726 **RESET** switch.
3. Wait for 20 seconds after “NAVITUS” appears on the LCD, until the backlight turns ON
4. Within one minute after the light goes out, hold **MENU** depressed, then press **RECALL** and **OK**.
If input with these keys is accepted successfully, a beep sounds.
5. On the alignment screen, tap the cross “+” marks 3 times (at the upper left, lower light and center).
*“Tap” refers to pressing the screen lightly with a stylus.
6. When tapping at the center is completed, the service mode menu will be displayed.

• Initial display and contents of the service mode menu

Initial display



Use the cursor keys [v] and [^] to select an item and press **OK** to enter on the menu.

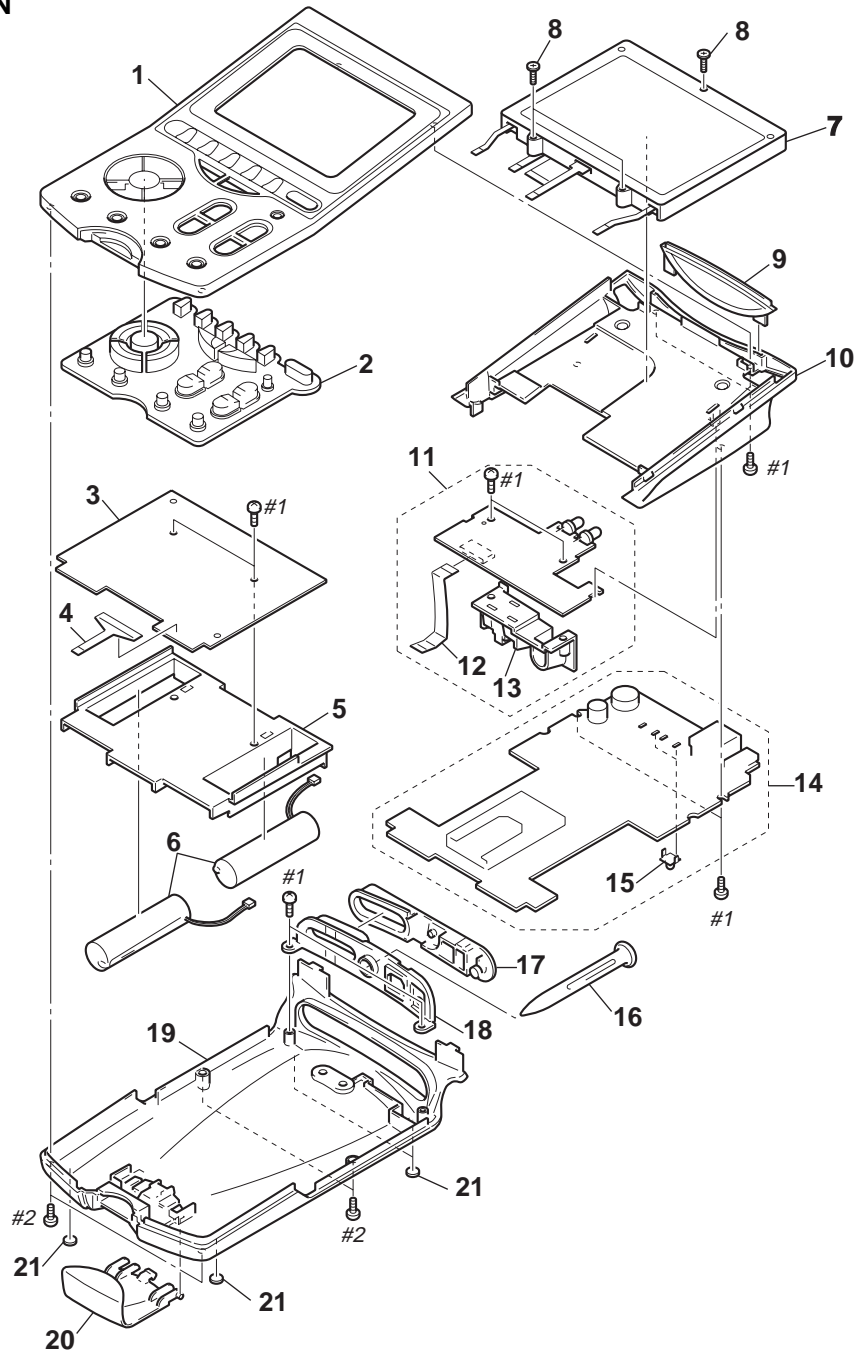
- AUTO.....Rotates through the enter menu.
 - LCD.....White 80%(rotates in the order of 10 - 130 - 250 backlight)/White 80%/ White 50%/White 20%/Bar (vertical) /Bar (horizontal)/Bar(horizontal narrow)
- SEND....Sending check
- LEARN..Learning function check
- ERP.....Touch engine click check
- KEY.....Control key operation check
- MS.....Write/Read check for memory stick
- USB.....USB connection check
- EXIT.....Exits the service mode.

SECTION 5 EXPLODED VIEWS

NOTE:

- -XX, -X mean standardized parts, so they may have some differences from the original one.
- Items marked “*” are not stocked since they are seldom required for routine service. Some delay should be anticipated when ordering these items.
- The mechanical parts with no reference number in the exploded views are not supplied.
- Accessories are given in the last of this parts list.

5-1. MAIN SECTION



Ref. No.	Part No.	Description	Remarks	Ref. No.	Part No.	Description	Remarks
1	A-4574-842-A	CASE (UPPER) BLOCK ASSY		13	3-254-329-01	HOLDER (LED)	
2	3-252-943-01	BUTTON		14	X-2021-506-1	MAIN BOARD, COMPLETE (for SERVICE)	
3	1-688-181-11	SWITCH BOARD		15	3-254-006-01	TERMINAL (A)	
4	1-688-184-11	SWITCH FLEXIBLE BOARD					
5	3-252-939-01	CASE, BATTERY		16	3-252-941-01	PEN, STYLUS	
6	1-756-357-11	BATTERY, NICKEL HYDROGEN		17	3-252-936-01	FILTER (B)	
7	A-4574-841-A	PANEL ASSY		18	3-252-933-01	LID, USB	
8	3-343-254-61	SCREW (B1.7X3.5), TAPPING		19	3-252-930-01	CASE (LOWER)	
9	3-252-934-01	FILTER (A)		20	3-252-931-01	LID, MS	
10	3-252-927-01	CASE (MIDDLE)		21	3-252-961-01	FOOT, RUBBER	
11	A-3683-569-A	LED BOARD, COMPLETE		#1	7-685-104-14	SCREW +P 2X6 TYPE2 SLIT	
12	1-783-387-11	WIRE, (FLAT TYPE) (7 CORE)		#2	7-685-134-14	SCREW +P 2.6X8 TYPE2 SLIT	

**SECTION 6
ELECTRICAL PARTS LIST**

NOTE:

- Due to standardization, replacements in the parts list may be different from the parts specified in the diagrams or the components used on the set.
- -XX, -X mean standardized parts, so they may have some difference from the original one.
- Items marked "*" are not stocked since they are seldom required for routine service. Some delay should be anticipated when ordering these items.
- CAPACITORS:
uF: μF

- RESISTORS
All resistors are in ohms.
METAL: metal-film resistor
METAL OXIDE: Metal Oxide-film resistor
F: nonflammable
- COILS
uH: μH
- SEMICONDUCTORS
In each case, u: μ, for example:
uA...: μA... , uPA... , μPA... ,
uPB... , μPB... , uPC... , μPC... ,
uPD... , μPD...

The components identified by mark \triangle or dotted line with mark \triangle are critical for safety.
Replace only with part number specified.

When indicating parts by reference number, please include the board.

Ref. No.	Part No.	Description	Remarks
	A-3683-569-A	LED BOARD, COMPLETE *****	
	1-783-387-11	WIRE, (FLAT TYPE) (7 CORE)	
	3-254-329-01	HOLDER (LED)	
	7-685-104-14	SCREW +P 2X6 TYPE2 SLIT	
		< CAPACITOR >	
C701	1-128-394-11	ELECT CHIP 220uF 20%	10V
C702	1-164-230-11	CERAMIC CHIP 220PF 5%	50V
C704	1-165-176-11	CERAMIC CHIP 0.047uF 10%	16V
C705	1-162-967-11	CERAMIC CHIP 0.0033uF 10%	50V
C706	1-165-176-11	CERAMIC CHIP 0.047uF 10%	16V
		< CONNECTOR >	
CN705	1-573-006-11	CONNECTOR, FPC (1.0mm) (ZIF) 7P	
		< DIODE >	
D701	8-719-912-39	DIODE SLR-932A	
D702	8-719-053-71	DIODE SID1K10CM	
D703	8-719-912-39	DIODE SLR-932A	
D704	8-719-053-71	DIODE SID1K10CM	
D705	8-719-083-74	DIODE TPS705	
		< IC >	
IC702	8-759-530-30	IC TC74VHCU04FT (EL)	
		< TRANSISTOR >	
Q701	8-729-140-75	TRANSISTOR 2SD999-CLCK	
Q702	8-729-140-75	TRANSISTOR 2SD999-CLCK	
		< RESISTOR >	
R702	1-219-107-91	RES-CHIP 1.5 5%	1/8W
R703	1-216-811-11	METAL CHIP 150 5%	1/10W
R705	1-219-107-91	RES-CHIP 1.5 5%	1/8W
R706	1-216-811-11	METAL CHIP 150 5%	1/10W
R710	1-218-867-11	METAL CHIP 6.8K 0.5%	1/10W
R711	1-216-833-11	METAL CHIP 10K 5%	1/10W
R713	1-216-833-11	METAL CHIP 10K 5%	1/10W
R714	1-216-861-11	METAL CHIP 2.2M 5%	1/10W
R715	1-216-837-11	METAL CHIP 22K 5%	1/10W
R716	1-216-817-11	METAL CHIP 470 5%	1/10W
R717	1-216-841-11	METAL CHIP 47K 5%	1/10W
R718	1-216-835-11	METAL CHIP 15K 5%	1/10W
R737	1-216-845-11	METAL CHIP 100K 5%	1/10W

Ref. No.	Part No.	Description	Remarks
R738	1-216-809-11	METAL CHIP 100 5%	1/10W *****
	X-2021-506-1	MAIN BOARD, COMPLETE (for SERVICE) *****	
		< CAPACITOR >	
C3	1-162-917-11	CERAMIC CHIP 15PF 5%	50V
C4	1-162-917-11	CERAMIC CHIP 15PF 5%	50V
C7	1-125-777-11	CERAMIC CHIP 0.1uF 10%	10V
C8	1-125-777-11	CERAMIC CHIP 0.1uF 10%	10V
C11	1-125-777-11	CERAMIC CHIP 0.1uF 10%	10V
C12	1-125-777-11	CERAMIC CHIP 0.1uF 10%	10V
C13	1-125-777-11	CERAMIC CHIP 0.1uF 10%	10V
C14	1-125-777-11	CERAMIC CHIP 0.1uF 10%	10V
C15	1-125-777-11	CERAMIC CHIP 0.1uF 10%	10V
C16	1-125-777-11	CERAMIC CHIP 0.1uF 10%	10V
C21	1-125-777-11	CERAMIC CHIP 0.1uF 10%	10V
C23	1-125-777-11	CERAMIC CHIP 0.1uF 10%	10V
C24	1-125-777-11	CERAMIC CHIP 0.1uF 10%	10V
C25	1-107-826-11	CERAMIC CHIP 0.1uF 10%	16V
C26	1-107-826-11	CERAMIC CHIP 0.1uF 10%	16V
C27	1-107-826-11	CERAMIC CHIP 0.1uF 10%	16V
C28	1-107-826-11	CERAMIC CHIP 0.1uF 10%	16V
C29	1-107-826-11	CERAMIC CHIP 0.1uF 10%	16V
C30	1-107-826-11	CERAMIC CHIP 0.1uF 10%	16V
C31	1-107-826-11	CERAMIC CHIP 0.1uF 10%	16V
C32	1-107-826-11	CERAMIC CHIP 0.1uF 10%	16V
C33	1-162-923-11	CERAMIC CHIP 47PF 5%	50V
C34	1-107-826-11	CERAMIC CHIP 0.1uF 10%	16V
C35	1-107-826-11	CERAMIC CHIP 0.1uF 10%	16V
C36	1-107-826-11	CERAMIC CHIP 0.1uF 10%	16V
C37	1-107-826-11	CERAMIC CHIP 0.1uF 10%	16V
C38	1-107-826-11	CERAMIC CHIP 0.1uF 10%	16V
C39	1-107-826-11	CERAMIC CHIP 0.1uF 10%	16V
C40	1-107-826-11	CERAMIC CHIP 0.1uF 10%	16V
C44	1-107-826-11	CERAMIC CHIP 0.1uF 10%	16V
C71	1-107-826-11	CERAMIC CHIP 0.1uF 10%	16V
C72	1-107-826-11	CERAMIC CHIP 0.1uF 10%	16V
C101	1-107-826-11	CERAMIC CHIP 0.1uF 10%	16V
C102	1-107-826-11	CERAMIC CHIP 0.1uF 10%	16V
C103	1-107-826-11	CERAMIC CHIP 0.1uF 10%	16V
C104	1-107-826-11	CERAMIC CHIP 0.1uF 10%	16V
C106	1-107-826-11	CERAMIC CHIP 0.1uF 10%	16V
C107	1-107-826-11	CERAMIC CHIP 0.1uF 10%	16V

MAIN

Ref. No.	Part No.	Description	Remarks	Ref. No.	Part No.	Description	Remarks
C108	1-165-875-11	CERAMIC CHIP	10uF 10% 10V	C634	1-100-055-21	CERAMIC CHIP	22uF 20% 16V
C109	1-107-826-11	CERAMIC CHIP	0.1uF 10% 16V	C635	1-100-162-91	CERAMIC CHIP	1uF 50V
C110	1-107-826-11	CERAMIC CHIP	0.1uF 10% 16V	C636	1-100-162-91	CERAMIC CHIP	1uF 50V
C111	1-100-352-91	CERAMIC CHIP	1uF 10% 16V	C637	1-107-826-11	CERAMIC CHIP	0.1uF 10% 16V
C136	1-135-856-91	TANTAL. CHIP	100uF 20% 10V	C707	1-162-964-11	CERAMIC CHIP	0.001uF 10% 50V
C137	1-135-856-91	TANTAL. CHIP	100uF 20% 10V	C708	1-107-826-11	CERAMIC CHIP	0.1uF 10% 16V
C139	1-107-826-11	CERAMIC CHIP	0.1uF 10% 16V	C709	1-107-826-11	CERAMIC CHIP	0.1uF 10% 16V
C140	1-107-826-11	CERAMIC CHIP	0.1uF 10% 16V	C710	1-107-826-11	CERAMIC CHIP	0.1uF 10% 16V
C141	1-135-856-91	TANTAL. CHIP	100uF 20% 10V	C711	1-162-917-11	CERAMIC CHIP	15PF 5% 50V
C160	1-135-856-91	TANTAL. CHIP	100uF 20% 10V	C712	1-162-923-11	CERAMIC CHIP	47PF 5% 50V
C161	1-135-856-91	TANTAL. CHIP	100uF 20% 10V	C713	1-107-826-11	CERAMIC CHIP	0.1uF 10% 16V
C162	1-135-856-91	TANTAL. CHIP	100uF 20% 10V	C714	1-162-919-11	CERAMIC CHIP	22PF 5% 50V
C203	1-162-964-11	CERAMIC CHIP	0.001uF 10% 50V	C715	1-162-919-11	CERAMIC CHIP	22PF 5% 50V
C204	1-162-964-11	CERAMIC CHIP	0.001uF 10% 50V	C716	1-162-919-11	CERAMIC CHIP	22PF 5% 50V
C205	1-162-964-11	CERAMIC CHIP	0.001uF 10% 50V	C717	1-107-826-11	CERAMIC CHIP	0.1uF 10% 16V
C206	1-162-964-11	CERAMIC CHIP	0.001uF 10% 50V	C718	1-107-826-11	CERAMIC CHIP	0.1uF 10% 16V
C209	1-162-964-11	CERAMIC CHIP	0.001uF 10% 50V	C720	1-162-964-11	CERAMIC CHIP	0.001uF 10% 50V
C210	1-162-964-11	CERAMIC CHIP	0.001uF 10% 50V	C721	1-107-826-11	CERAMIC CHIP	0.1uF 10% 16V
C211	1-162-964-11	CERAMIC CHIP	0.001uF 10% 50V	C726	1-165-875-11	CERAMIC CHIP	10uF 10% 10V
C213	1-162-964-11	CERAMIC CHIP	0.001uF 10% 50V	C727	1-165-875-11	CERAMIC CHIP	10uF 10% 10V
C215	1-162-964-11	CERAMIC CHIP	0.001uF 10% 50V	C728	1-165-875-11	CERAMIC CHIP	10uF 10% 10V
C216	1-162-964-11	CERAMIC CHIP	0.001uF 10% 50V	C729	1-100-352-91	CERAMIC CHIP	1uF 10% 16V
C217	1-162-964-11	CERAMIC CHIP	0.001uF 10% 50V	C730	1-165-875-11	CERAMIC CHIP	10uF 10% 10V
C218	1-162-964-11	CERAMIC CHIP	0.001uF 10% 50V	C751	1-162-964-11	CERAMIC CHIP	0.001uF 10% 50V
C219	1-162-964-11	CERAMIC CHIP	0.001uF 10% 50V	C752	1-162-964-11	CERAMIC CHIP	0.001uF 10% 50V
C220	1-162-964-11	CERAMIC CHIP	0.001uF 10% 50V	C753	1-162-964-11	CERAMIC CHIP	0.001uF 10% 50V
C221	1-107-826-11	CERAMIC CHIP	0.1uF 10% 16V	C754	1-162-964-11	CERAMIC CHIP	0.001uF 10% 50V
C222	1-162-964-11	CERAMIC CHIP	0.001uF 10% 50V	C761	1-162-964-11	CERAMIC CHIP	0.001uF 10% 50V
C601	1-128-398-11	ELECT CHIP	220uF 20% 16V	C763	1-162-964-11	CERAMIC CHIP	0.001uF 10% 50V
C602	1-125-889-91	CERAMIC CHIP	2.2uF 10% 10V	C764	1-162-964-11	CERAMIC CHIP	0.001uF 10% 50V
C603	1-107-826-11	CERAMIC CHIP	0.1uF 10% 16V	C765	1-162-964-11	CERAMIC CHIP	0.001uF 10% 50V
C604	1-162-927-11	CERAMIC CHIP	100PF 5% 50V	C766	1-162-964-11	CERAMIC CHIP	0.001uF 10% 50V
C605	1-127-715-91	CERAMIC CHIP	0.22uF 10% 16V	C801	1-125-891-11	CERAMIC CHIP	0.47uF 10% 10V
C606	1-164-677-11	CERAMIC CHIP	0.033uF 10% 16V	C802	1-127-715-91	CERAMIC CHIP	0.22uF 10% 16V
C607	1-165-875-11	CERAMIC CHIP	10uF 10% 10V	C803	1-127-715-91	CERAMIC CHIP	0.22uF 10% 16V
C608	1-107-826-11	CERAMIC CHIP	0.1uF 10% 16V	C804	1-107-826-11	CERAMIC CHIP	0.1uF 10% 16V
C609	1-127-715-91	CERAMIC CHIP	0.22uF 10% 16V	C805	1-107-826-11	CERAMIC CHIP	0.1uF 10% 16V
C610	1-115-581-11	TANTAL. CHIP	100uF 20% 16V	C806	1-107-826-11	CERAMIC CHIP	0.1uF 10% 16V
C612	1-165-875-11	CERAMIC CHIP	10uF 10% 10V	C807	1-107-826-11	CERAMIC CHIP	0.1uF 10% 16V
C613	1-162-919-11	CERAMIC CHIP	22PF 5% 50V	C808	1-107-826-11	CERAMIC CHIP	0.1uF 10% 16V
C614	1-115-581-11	TANTAL. CHIP	100uF 20% 16V	C809	1-125-891-11	CERAMIC CHIP	0.47uF 10% 10V
C615	1-165-875-11	CERAMIC CHIP	10uF 10% 10V	C810	1-107-826-11	CERAMIC CHIP	0.1uF 10% 16V
C616	1-100-352-91	CERAMIC CHIP	1uF 10% 16V	C811	1-137-710-11	CERAMIC CHIP	10uF 20% 6.3V
C617	1-165-875-11	CERAMIC CHIP	10uF 10% 10V	C812	1-137-710-11	CERAMIC CHIP	10uF 20% 6.3V
C620	1-100-352-91	CERAMIC CHIP	1uF 10% 16V	C813	1-107-826-11	CERAMIC CHIP	0.1uF 10% 16V
C621	1-165-875-11	CERAMIC CHIP	10uF 10% 10V	C814	1-137-710-11	CERAMIC CHIP	10uF 20% 6.3V
C622	1-100-503-11	CERAMIC CHIP	4.7uF 10% 10V	C815	1-107-826-11	CERAMIC CHIP	0.1uF 10% 16V
C623	1-162-919-11	CERAMIC CHIP	22PF 5% 50V	C816	1-100-503-11	CERAMIC CHIP	4.7uF 10% 10V
C624	1-100-055-21	CERAMIC CHIP	22uF 20% 16V	C817	1-100-162-91	CERAMIC CHIP	1uF 50V
C625	1-165-875-11	CERAMIC CHIP	10uF 10% 10V	C818	1-107-826-11	CERAMIC CHIP	0.1uF 10% 16V
C627	1-100-503-11	CERAMIC CHIP	4.7uF 10% 10V	C819	1-107-826-11	CERAMIC CHIP	0.1uF 10% 16V
C628	1-162-919-11	CERAMIC CHIP	22PF 5% 50V	C820	1-115-670-11	ELECT CHIP	220uF 20% 35V
C629	1-135-960-91	CERAMIC CHIP	10uF 10% 25V	< CONNECTOR >			
C630	1-100-162-91	CERAMIC CHIP	1uF 50V	CN4	1-794-917-11	CONNECTOR, MEMORY STICK	
C631	1-100-352-91	CERAMIC CHIP	1uF 10% 16V	CN34	1-784-010-11	CONNECTOR, USB (B) (USB)	
C632	1-165-875-11	CERAMIC CHIP	10uF 10% 10V	CN101	1-691-374-11	CONNECTOR, FFC/FPC 10P	
C633	1-135-960-91	CERAMIC CHIP	10uF 10% 25V	CN102	1-691-374-11	CONNECTOR, FFC/FPC 10P	

RM-NX7000

MAIN

Ref. No.	Part No.	Description	Remarks	Ref. No.	Part No.	Description	Remarks
CN501	1-815-865-21	CONNECTOR, BOARD TO BOARD 60P		IC30	8-759-657-69	IC PDIUSBP11APW, 118	
CN601	1-569-614-11	PLUG, CONNECTOR 2P (BATTERY CHARGE TERMINAL +)		IC101	8-759-058-60	IC TC7SU04FU (TE85R)	
CN602	1-569-614-11	PLUG, CONNECTOR 2P (BATTERY CHARGE TERMINAL -)		IC102	8-759-058-60	IC TC7SU04FU (TE85R)	
CN701	1-580-438-21	CONNECTOR, FPC 4P		IC103	8-759-058-58	IC TC7S04FU (TE85R)	
CN702	1-691-374-11	CONNECTOR, FFC/FPC 10P		IC601	8-759-576-61	IC MB3832APFV-G-BND-ER	
CN703	1-691-374-11	CONNECTOR, FFC/FPC 10P		IC602	6-701-578-01	IC XC61CN1802NR	
CN704	1-573-006-11	CONNECTOR, FPC (1.0mm) (ZIF) 7P		IC603	8-759-586-58	IC XC6367B103MR	
CN801	1-815-099-11	CONNECTOR, FPC (ZIF) 45P		IC604	8-759-591-44	IC R1121N331B-TR	
CN802	1-691-370-11	CONNECTOR, FFC/FPC 6P		IC606	6-700-139-01	IC R1121N191B-TL	
CN803	1-794-501-11	CONNECTOR, FFC/FPC (ZIF) 4P		IC607	6-704-075-01	IC TPS61040DBVR	
CN804	1-793-241-11	CONNECTOR, FFC/FPC 4P		IC608	6-704-075-01	IC TPS61040DBVR	
< DIODE >				IC609	8-759-598-20	IC R1121N501B-TR	
D601	8-719-080-41	DIODE RB063L-30TE25		IC701	6-704-171-01	IC uPD780076YGK-R38-9ET	
D602	8-719-080-41	DIODE RB063L-30TE25		IC703	8-759-327-60	IC TC7W125FU-TE12R	
D603	8-719-080-41	DIODE RB063L-30TE25		IC704	8-759-363-26	IC RN5VD28AA-TL-FA	
D604	8-719-080-41	DIODE RB063L-30TE25		IC705	8-759-058-58	IC TC7S04FU (TE85R)	
D605	6-500-460-01	DIODE RSX101M-30TR		IC706	6-704-117-01	IC S-1111B33MC-NYSTFG	
D606	6-500-460-01	DIODE RSX101M-30TR		IC801	8-752-102-54	IC CXA3597ER-T2	
D607	6-500-460-01	DIODE RSX101M-30TR		IC802	6-705-075-01	IC TPS61042DRBR	
D608	8-719-056-54	DIODE MAZS068008SO		IC803	8-759-245-52	IC TA7291F	
D609	8-719-056-54	DIODE MAZS068008SO		< JACK >			
D610	8-719-056-54	DIODE MAZS068008SO		J601	1-778-153-51	JACK, DC (POLARITY UNIFIED TYPE) (DC IN 4.5V)	
D611	8-719-056-54	DIODE MAZS068008SO		< COIL >			
D612	8-719-056-54	DIODE MAZS068008SO		L601	1-424-918-21	INDUCTOR 10uH	
D613	8-719-056-54	DIODE MAZS068008SO		L602	1-424-918-21	INDUCTOR 10uH	
D751	8-719-056-54	DIODE MAZS068008SO		L603	1-414-398-11	INDUCTOR 10uH	
D752	8-719-056-54	DIODE MAZS068008SO		L604	1-416-344-11	INDUCTOR 10uH	
D753	8-719-056-54	DIODE MAZS068008SO		L605	1-414-398-11	INDUCTOR 10uH	
D754	8-719-056-54	DIODE MAZS068008SO		L606	1-416-344-11	INDUCTOR 10uH	
D761	8-719-056-54	DIODE MAZS068008SO		L607	1-414-398-11	INDUCTOR 10uH	
D762	8-719-056-54	DIODE MAZS068008SO		L801	1-416-344-11	INDUCTOR 10uH	
D763	8-719-056-54	DIODE MAZS068008SO		L802	1-414-398-11	INDUCTOR 10uH	
D764	8-719-056-54	DIODE MAZS068008SO		L803	1-414-398-11	INDUCTOR 10uH	
D765	8-719-056-54	DIODE MAZS068008SO		< BUZZER >			
D766	8-719-056-54	DIODE MAZS068008SO		LS701	1-504-920-21	BUZZER	
D767	8-719-056-54	DIODE MAZS068008SO		< TRANSISTOR >			
D768	8-719-056-54	DIODE MAZS068008SO		Q1	8-729-028-91	TRANSISTOR DTA144EUA-T106	
D769	8-719-056-54	DIODE MAZS068008SO		Q2	8-729-028-97	TRANSISTOR DTC114TUA-T106	
D770	8-719-056-54	DIODE MAZS068008SO		Q3	8-729-029-00	TRANSISTOR DTC115EUA-T106	
D801	8-719-071-34	DIODE RB521S-30-TE61		Q4	8-729-029-00	TRANSISTOR DTC115EUA-T106	
D802	8-719-071-34	DIODE RB521S-30-TE61		Q5	8-729-029-00	TRANSISTOR DTC115EUA-T106	
D803	8-719-071-34	DIODE RB521S-30-TE61		Q101	8-729-055-88	TRANSISTOR MCH3406-TL-E	
D804	8-719-071-34	DIODE RB521S-30-TE61		Q102	8-729-055-88	TRANSISTOR MCH3406-TL-E	
D805	8-719-071-34	DIODE RB521S-30-TE61		Q601	8-759-593-78	IC SI2305DS-T1	
< FERRITE BEAD >				Q602	8-759-593-78	IC SI2305DS-T1	
* FB102	1-500-282-11	INDUCTOR, FERRITE BEAD		Q603	8-729-200-72	TRANSISTOR 2SC2712L-TE85L	
< IC >				Q604	8-729-055-88	TRANSISTOR MCH3406-TL-E	
IC2	6-705-076-01	IC K4S281632E-UC75T00		Q605	8-759-593-78	IC SI2305DS-T1	
IC3	6-705-076-01	IC K4S281632E-UC75T00		Q606	8-759-593-78	IC SI2305DS-T1	
IC16	8-759-196-97	IC TC7SH32FU-TE85R		Q607	8-729-029-00	TRANSISTOR DTC115EUA-T106	
IC17	6-705-077-01	IC K9F5608U0C-PCBOT00		Q608	8-729-029-00	TRANSISTOR DTC115EUA-T106	
IC20	8-759-196-97	IC TC7SH32FU-TE85R		Q609	8-729-029-00	TRANSISTOR DTC115EUA-T106	
				Q610	8-729-029-00	TRANSISTOR DTC115EUA-T106	

- IC1 (microcomputer) and IC7 (flash RAM) on Main board cannot be replaced individually.
Replace it with Main board assembly for service.

MAIN

Ref. No.	Part No.	Description	Remarks			Ref. No.	Part No.	Description	Remarks		
Q611	8-729-029-00	TRANSISTOR	DTC115EUA-T106			R133	1-216-864-11	SHORT CHIP	0		
Q704	8-729-200-72	TRANSISTOR	2SC2712L-TE85L			R134	1-216-833-11	METAL CHIP	10K	5%	1/10W
Q705	8-729-028-74	TRANSISTOR	DTA114TUA-T106			R135	1-216-864-11	SHORT CHIP	0		
Q706	8-729-028-74	TRANSISTOR	DTA114TUA-T106			R136	1-216-841-11	METAL CHIP	47K	5%	1/10W
Q707	8-729-028-74	TRANSISTOR	DTA114TUA-T106			R137	1-216-864-11	SHORT CHIP	0		
Q708	8-729-028-97	TRANSISTOR	DTC114TUA-T106			R138	1-216-864-11	SHORT CHIP	0		
Q709	8-729-028-97	TRANSISTOR	DTC114TUA-T106			R139	1-216-864-11	SHORT CHIP	0		
Q801	8-759-593-78	IC	SI2305DS-T1			R140	1-216-815-11	METAL CHIP	330	5%	1/10W
Q802	8-729-029-00	TRANSISTOR	DTC115EUA-T106			R141	1-216-807-11	METAL CHIP	68	5%	1/10W
Q803	8-729-029-00	TRANSISTOR	DTC115EUA-T106			R142	1-216-815-11	METAL CHIP	330	5%	1/10W
< RESISTOR >											
R2	1-216-803-11	METAL CHIP	33	5%	1/10W	R143	1-216-807-11	METAL CHIP	68	5%	1/10W
R9	1-216-864-11	SHORT CHIP	0			R201	1-216-864-11	SHORT CHIP	0		
R10	1-216-803-11	METAL CHIP	33	5%	1/10W	R215	1-216-864-11	SHORT CHIP	0		
R11	1-216-803-11	METAL CHIP	33	5%	1/10W	R218	1-216-833-11	METAL CHIP	10K	5%	1/10W
R12	1-216-803-11	METAL CHIP	33	5%	1/10W	R219	1-216-833-11	METAL CHIP	10K	5%	1/10W
R13	1-216-803-11	METAL CHIP	33	5%	1/10W	R220	1-216-833-11	METAL CHIP	10K	5%	1/10W
R14	1-216-821-11	METAL CHIP	1K	5%	1/10W	R236	1-216-864-11	SHORT CHIP	0		
R17	1-216-845-11	METAL CHIP	100K	5%	1/10W	R237	1-216-864-11	SHORT CHIP	0		
R18	1-216-813-11	METAL CHIP	220	5%	1/10W	R501	1-216-833-11	METAL CHIP	10K	5%	1/10W
R19	1-216-845-11	METAL CHIP	100K	5%	1/10W	R502	1-216-833-11	METAL CHIP	10K	5%	1/10W
R20	1-216-833-11	METAL CHIP	10K	5%	1/10W	R601	1-216-837-11	METAL CHIP	22K	5%	1/10W
R21	1-216-803-11	METAL CHIP	33	5%	1/10W	R602	1-216-833-11	METAL CHIP	10K	5%	1/10W
R22	1-216-833-11	METAL CHIP	10K	5%	1/10W	R603	1-216-827-11	METAL CHIP	3.3K	5%	1/10W
R25	1-216-845-11	METAL CHIP	100K	5%	1/10W	R604	1-216-853-11	METAL CHIP	470K	5%	1/10W
R26	1-216-845-11	METAL CHIP	100K	5%	1/10W	R605	1-216-833-11	METAL CHIP	10K	5%	1/10W
R27	1-216-837-11	METAL CHIP	22K	5%	1/10W	R606	1-216-821-11	METAL CHIP	1K	5%	1/10W
R28	1-216-845-11	METAL CHIP	100K	5%	1/10W	R607	1-216-839-11	METAL CHIP	33K	5%	1/10W
R29	1-216-864-11	SHORT CHIP	0			R608	1-216-829-11	METAL CHIP	4.7K	5%	1/10W
R31	1-216-864-11	SHORT CHIP	0			R609	1-220-915-91	METAL CHIP	0.033	2%	1/4W
R32	1-216-864-11	SHORT CHIP	0			R610	1-218-903-11	METAL CHIP	220K	0.5%	1/10W
R36	1-216-864-11	SHORT CHIP	0			R611	1-218-911-11	METAL CHIP	470K	0.5%	1/10W
R37	1-216-864-11	SHORT CHIP	0			R612	1-216-857-11	METAL CHIP	1M	5%	1/10W
R38	1-216-864-11	SHORT CHIP	0			R613	1-216-857-11	METAL CHIP	1M	5%	1/10W
R39	1-216-864-11	SHORT CHIP	0			R614	1-218-915-11	METAL CHIP	680K	0.5%	1/10W
R97	1-216-833-11	METAL CHIP	10K	5%	1/10W	R615	1-218-903-11	METAL CHIP	220K	0.5%	1/10W
R98	1-216-833-11	METAL CHIP	10K	5%	1/10W	R616	1-218-879-11	METAL CHIP	22K	0.5%	1/10W
R102	1-216-823-11	METAL CHIP	1.5K	5%	1/10W	R617	1-216-845-11	METAL CHIP	100K	5%	1/10W
R103	1-216-845-11	METAL CHIP	100K	5%	1/10W	R618	1-218-915-11	METAL CHIP	680K	0.5%	1/10W
R104	1-216-809-11	METAL CHIP	100	5%	1/10W	R619	1-218-903-11	METAL CHIP	220K	0.5%	1/10W
R105	1-216-864-11	SHORT CHIP	0			R620	1-216-845-11	METAL CHIP	100K	5%	1/10W
R106	1-216-797-11	METAL CHIP	10	5%	1/10W	R621	1-218-915-11	METAL CHIP	680K	0.5%	1/10W
R107	1-216-833-11	METAL CHIP	10K	5%	1/10W	R622	1-218-879-11	METAL CHIP	22K	0.5%	1/10W
R110	1-216-813-11	METAL CHIP	220	5%	1/10W	R623	1-218-879-11	METAL CHIP	22K	0.5%	1/10W
R111	1-216-801-11	METAL CHIP	22	5%	1/10W	R624	1-218-883-11	METAL CHIP	33K	0.5%	1/10W
R112	1-216-789-11	METAL CHIP	2.2	5%	1/10W	R625	1-218-883-11	METAL CHIP	33K	0.5%	1/10W
R113	1-216-801-11	METAL CHIP	22	5%	1/10W	R626	1-218-883-11	METAL CHIP	33K	0.5%	1/10W
R114	1-216-789-11	METAL CHIP	2.2	5%	1/10W	R627	1-216-825-11	METAL CHIP	2.2K	5%	1/10W
R115	1-216-857-11	METAL CHIP	1M	5%	1/10W	R628	1-216-825-11	METAL CHIP	2.2K	5%	1/10W
R116	1-216-864-11	SHORT CHIP	0			R629	1-216-857-11	METAL CHIP	1M	5%	1/10W
R117	1-216-845-11	METAL CHIP	100K	5%	1/10W	R630	1-218-907-11	METAL CHIP	330K	0.5%	1/10W
R118	1-216-864-11	SHORT CHIP	0			R631	1-216-857-11	METAL CHIP	1M	5%	1/10W
R119	1-216-864-11	SHORT CHIP	0			R632	1-216-845-11	METAL CHIP	100K	5%	1/10W
R120	1-216-864-11	SHORT CHIP	0			R633	1-216-845-11	METAL CHIP	100K	5%	1/10W
R121	1-216-864-11	SHORT CHIP	0			R634	1-216-821-11	METAL CHIP	1K	5%	1/10W
R132	1-216-841-11	METAL CHIP	47K	5%	1/10W	R635	1-216-833-11	METAL CHIP	10K	5%	1/10W
						R651	1-216-821-11	METAL CHIP	1K	5%	1/10W
						R652	1-216-833-11	METAL CHIP	10K	5%	1/10W
						R653	1-216-833-11	METAL CHIP	10K	5%	1/10W

MAIN

Ref. No.	Part No.	Description	Quantity	Remarks
R654	1-216-864-11	SHORT CHIP	0	
R655	1-216-864-11	SHORT CHIP	0	
R656	1-216-864-11	SHORT CHIP	0	
R658	1-216-864-11	SHORT CHIP	0	
R659	1-216-864-11	SHORT CHIP	0	
R660	1-216-864-11	SHORT CHIP	0	
R661	1-216-864-11	SHORT CHIP	0	
R662	1-216-864-11	SHORT CHIP	0	
R663	1-216-864-11	SHORT CHIP	0	
R702	1-216-864-11	SHORT CHIP	0	
R704	1-216-864-11	SHORT CHIP	0	
R707	1-216-845-11	METAL CHIP	100K	5% 1/10W
R708	1-216-845-11	METAL CHIP	100K	5% 1/10W
R709	1-216-845-11	METAL CHIP	100K	5% 1/10W
R719	1-216-821-11	METAL CHIP	1K	5% 1/10W
R720	1-216-821-11	METAL CHIP	1K	5% 1/10W
R721	1-216-864-11	SHORT CHIP	0	
R722	1-216-864-11	SHORT CHIP	0	
R723	1-216-864-11	SHORT CHIP	0	
R724	1-216-864-11	SHORT CHIP	0	
R726	1-216-797-11	METAL CHIP	10	5% 1/10W
R727	1-216-797-11	METAL CHIP	10	5% 1/10W
R728	1-216-797-11	METAL CHIP	10	5% 1/10W
R729	1-216-845-11	METAL CHIP	100K	5% 1/10W
R730	1-216-797-11	METAL CHIP	10	5% 1/10W
R731	1-216-845-11	METAL CHIP	100K	5% 1/10W
R732	1-216-797-11	METAL CHIP	10	5% 1/10W
R734	1-216-864-11	SHORT CHIP	0	
R736	1-216-845-11	METAL CHIP	100K	5% 1/10W
R739	1-216-864-11	SHORT CHIP	0	
R740	1-216-845-11	METAL CHIP	100K	5% 1/10W
R741	1-216-864-11	SHORT CHIP	0	
R742	1-216-864-11	SHORT CHIP	0	
R761	1-216-821-11	METAL CHIP	1K	5% 1/10W
R762	1-216-821-11	METAL CHIP	1K	5% 1/10W
R763	1-216-821-11	METAL CHIP	1K	5% 1/10W
R764	1-216-821-11	METAL CHIP	1K	5% 1/10W
R765	1-216-821-11	METAL CHIP	1K	5% 1/10W
R766	1-216-821-11	METAL CHIP	1K	5% 1/10W
R767	1-216-821-11	METAL CHIP	1K	5% 1/10W
R768	1-216-821-11	METAL CHIP	1K	5% 1/10W
R769	1-216-821-11	METAL CHIP	1K	5% 1/10W
R770	1-216-821-11	METAL CHIP	1K	5% 1/10W
R771	1-216-809-11	METAL CHIP	100	5% 1/10W
R772	1-216-809-11	METAL CHIP	100	5% 1/10W
R773	1-216-809-11	METAL CHIP	100	5% 1/10W
R774	1-216-809-11	METAL CHIP	100	5% 1/10W
R775	1-216-809-11	METAL CHIP	100	5% 1/10W
R776	1-216-809-11	METAL CHIP	100	5% 1/10W
R777	1-216-809-11	METAL CHIP	100	5% 1/10W
R778	1-216-809-11	METAL CHIP	100	5% 1/10W
R779	1-216-809-11	METAL CHIP	100	5% 1/10W
R780	1-216-809-11	METAL CHIP	100	5% 1/10W
R801	1-216-841-11	METAL CHIP	47K	5% 1/10W
R802	1-216-837-11	METAL CHIP	22K	5% 1/10W
R809	1-216-864-11	SHORT CHIP	0	
R811	1-216-864-11	SHORT CHIP	0	

Ref. No.	Part No.	Description	Quantity	Remarks
R812	1-216-797-11	METAL CHIP	10	5% 1/10W
R813	1-216-829-11	METAL CHIP	4.7K	5% 1/10W
R815	1-216-857-11	METAL CHIP	1M	5% 1/10W
R816	1-216-821-11	METAL CHIP	1K	5% 1/10W
R817	1-216-833-11	METAL CHIP	10K	5% 1/10W
R819	1-216-841-11	METAL CHIP	47K	5% 1/10W
R820	1-216-849-11	METAL CHIP	220K	5% 1/10W
R821	1-216-864-11	SHORT CHIP	0	
R822	1-216-864-11	SHORT CHIP	0	
R823	1-216-833-11	METAL CHIP	10K	5% 1/10W
R824	1-216-833-11	METAL CHIP	10K	5% 1/10W
R825	1-216-821-11	METAL CHIP	1K	5% 1/10W
R826	1-216-813-11	METAL CHIP	220	5% 1/10W
R827	1-216-813-11	METAL CHIP	220	5% 1/10W
R828	1-216-845-11	METAL CHIP	100K	5% 1/10W
R829	1-216-845-11	METAL CHIP	100K	5% 1/10W
R830	1-216-837-11	METAL CHIP	22K	5% 1/10W
R831	1-216-833-11	METAL CHIP	10K	5% 1/10W
R832	1-216-821-11	METAL CHIP	1K	5% 1/10W
< COMPOSITION CIRCUIT BLOCK >				
RB10	1-236-907-11	NETWORK RESISTOR (CHIP)	100K	
RB11	1-236-907-11	NETWORK RESISTOR (CHIP)	100K	
RB101	1-239-711-91	NETWORK RESISTOR (CHIP)	0	
RB102	1-239-711-91	NETWORK RESISTOR (CHIP)	0	
RB103	1-239-711-91	NETWORK RESISTOR (CHIP)	0	
< SWITCH >				
S701	1-786-629-11	SWITCH, DIP		
S726	1-570-909-21	SWITCH, TACTIL (REFLOW TYPE) (RESET)		
< TRANSFORMER >				
T601	1-239-581-22	FILTER, EMI		
< THERMISTOR >				
TH601	1-803-952-11	THERMISTOR, POSITIVE		
< VARIABLE RESISTOR >				
VR801	1-225-681-21	RES, ADJ	22K (FLICKER)	
< VIBRATOR >				
X2	1-781-202-21	VIBRATOR, CRYSTAL (16MHz)		
X701	1-795-121-21	VIBRATOR, CERAMIC (5MHz)		
X702	1-760-458-21	VIBRATOR, CRYSTAL (32.768kHz)		

MISCELLANEOUS				

4	1-688-184-11	SWITCH FLEXIBLE BOARD		
6	1-756-357-11	BATTERY, NICKEL HYDROGEN		
12	1-783-387-11	WIRE, (FLAT TYPE) (7 CORE)		

Ref. No.	Part No.	Description	Remarks
		ACCESSORIES *****	
△	1-477-973-11	ADAPTOR, AC (AC-S455)	
	1-478-668-11	STAND, BATTERY CHARGE	
	1-792-826-11	CORD, CONNECTION	
	3-254-727-11	MANUAL, INSTRUCTION (ENGLISH)	
	3-257-281-01	CD-ROM	

The components identified by mark △ or dotted line with mark △ are critical for safety. Replace only with part number specified.

